

Ceramic AC Capacitors

Class X1, 440V_{AC} / Class Y2, 250V_{AC}

DESIGN:

Disc capacitors with epoxy coating

RATED VOLTAGE U_R:

(X1): 440V_{AC}, 50Hz (IEC 60384-14.2)
 (Y2): 250V_{AC}, 50Hz (IEC 60384-14.2)
 250V_{AC}, 60Hz (UL1414, CSA C22.2)

DIELECTRIC STRENGTH BETWEEN LEADS:

Component test:
 2200V_{AC}, 50Hz, 2s
 As repeated test admissible only once with
 2000V_{AC}, 50Hz, 2s
 Random sampling test (destructive test):
 1500V_{AC}, 50Hz, 60s

DIELECTRIC STRENGTH OF BODY INSULATION:

2000V_{AC}, 50Hz, 60s (destructive test)

DISSIPATION FACTOR tan δ:

≤ 25 • 10⁻³

INSULATION RESISTANCE R_{is}:

≥ 6 • 10⁹Ω

CATEGORY TEMPERATURE RANGE θ_A:

(- 40 to + 125)°C

CLIMATIC CATEGORY ACC. TO EN60068-1:

40/125/21

COATING:

Epoxy, dipped, insulating, flame retarding acc. to
 UL 94V-0

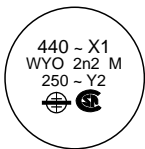
TAPING AND SPECIAL LEAD CONFIGURATIONS:

On request

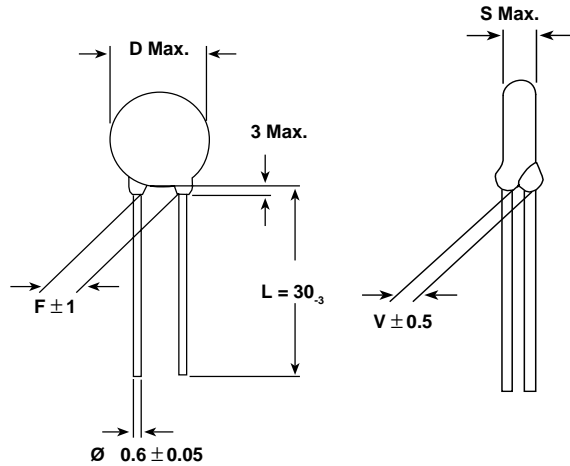
MARKING:

D ≤ 9mm

D ≥ 10mm

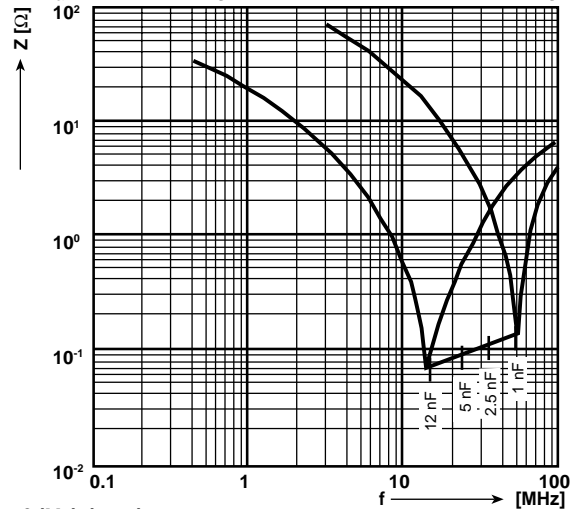


All approval marks are also shown on the label.

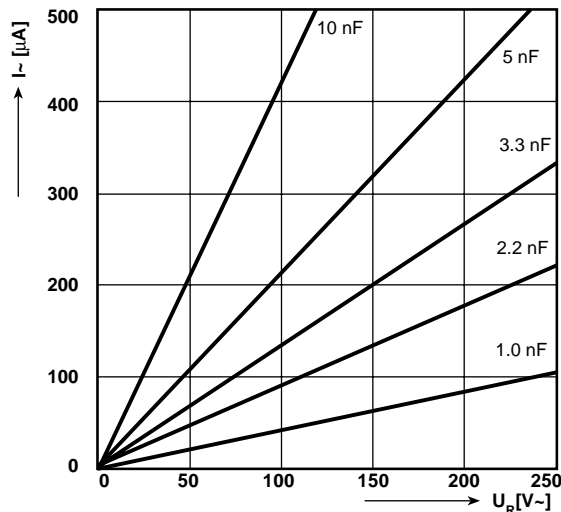


• Dimensions in mm

Impedance (Z) as a function of frequency (f) at T_a = 20°C (average). Measurement with lead length 6mm.



I = f (U_R) (typ.)





Ceramic AC Capacitors Class X1, 440V_{AC} / Class Y2, 250V_{AC} Vishay Draloric

CAPACITANCE (pF)	D x s Max. (mm)	F ± 1* (mm)	d ± 0.05* (mm)	V ± 0.5* (mm)	ORDERING CODE	CERAMIC DIELECTRIC	
1000	6.5 x 4.5	5	0.6	1.4	WYO102□CM□□□K	K 4000	
1500	8.0 x 4.5				WYO152□CM□□□K		
1800	8.0 x 4.5				WYO182□CM□□□K		
2200	9.0 x 4.5				WYO222□CM□□□K		
2500	9.0 x 4.5				WYO252□CM□□□K		
3300	10.0 x 4.5	7.5		1.4	WYO332□CM□□□K		
4700	12.0 x 4.5				WYO472□CM□□□K		
5000	12.0 x 4.5				WYO502□CM□□□K		
6800	17.0 x 4.5				1.6		WYO682□CM□□□K
8200	17.0 x 4.5						WYO822□CM□□□K
0.010μF	21.0 x 4.5		WYO103□CM□□□K				
0.012μF	21.0 x 4.5		WYO123□CM□□□K				

*Standard lead configuration, other lead spacing and diameter available on request.

Capacitance Tolerances: ± 20%

Ordering Code:	<input type="checkbox"/> 7th digit:	Capacitance tolerance:	± 20% = M
	<input type="checkbox"/> 10th/11th/12th digit:	Lead configuration (See General Information)	

APPROVALS			
IEC 60384-14 2ND edition (1993) Table II & A 1 (1995-06)	(Y2) CB-Test Certificate (X1) CB-Test Certificate	Fi 585 A 1 (250V _{AC}) Fi 508 A 2 (440V _{AC})	
EN 132400 (1994) These approvals together with the CB-Test Certificate substitutes the national approval of the nations given in the table below	(Y2) CB-Test Certificate (X1) CB-Test Certificate	DE 1-8789 (250V _{AC}) DE 1-8789 (440V _{AC})	
UL 1414	Line-by-pass & Antenna coupling capacitor	E 183844 V1 S2 (250V _{AC})	
CSA C22.2 No. 1-M1981	Across-the-line, line-to-ground and antenna isolation capacitor	LR 64546-10 (250V _{AC})	

This approval mark together with the CB-Certificate replace all national approval marks of the following countries (they have already signed the CB-Agreement):

Austria	Belgium	Denmark	Finland	Sweden
France	Germany	Ireland	Italy	Switzerland
Netherlands	Israel	Portugal	Spain	Great Britain
Japan	Norway	China	Poland	Czech. Republic
Singapore	Rep. of Korea	Hungary	Iceland	Slovenia

ORDERING INFORMATION					
WYO SERIES	103 CAP. VALUE	M TOLERANCE	CM RATED VOLTAGE	CF0 LEAD CONFIGURATION	K INTERNAL CODE