



RouteFlow

TURNING
INTO REALITY

When SDN meets legacy IP control planes

Dagstuhl Seminar on Software Defined Networking
Wadern, Germany, 7 Sep 2012



SCHLOSS DAGSTUHL
Leibniz-Zentrum für Informatik

Agenda

- Intro and overview of the RouteFlow project
 - Ideas of the HotSDN paper
 - Raise the debate on:
 - +++ Transitioning existing networks to Openflow/SDN
 - +++ Hybrid Openflow/SDN approaches
(integration with legacy control planes)
 - +++ How OpenFlow direct FIB manipulation can help IP routing control applications and enable cost-effective architectures?
 - **Shape the research agenda of RouteFlow!**
- [Happy to talk about the low-level details:
e.g., how to do IP forwarding (match+actions) with OF1.0 and 1.X]

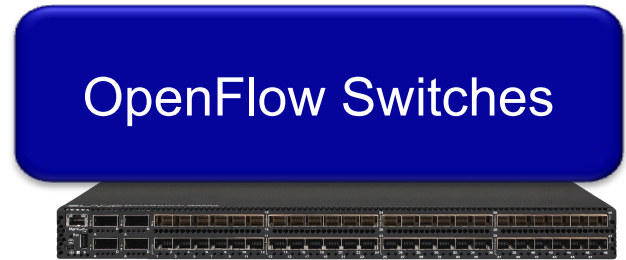
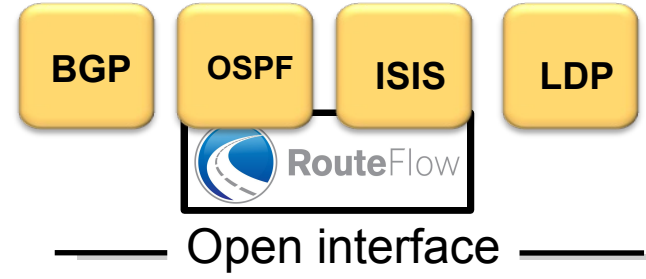
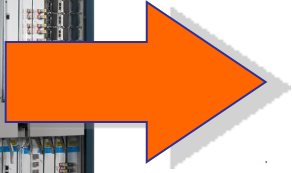
Software Defined IP Routing



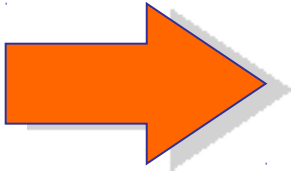
Specialized Features

Specialized Control Plane

Specialized Hardware

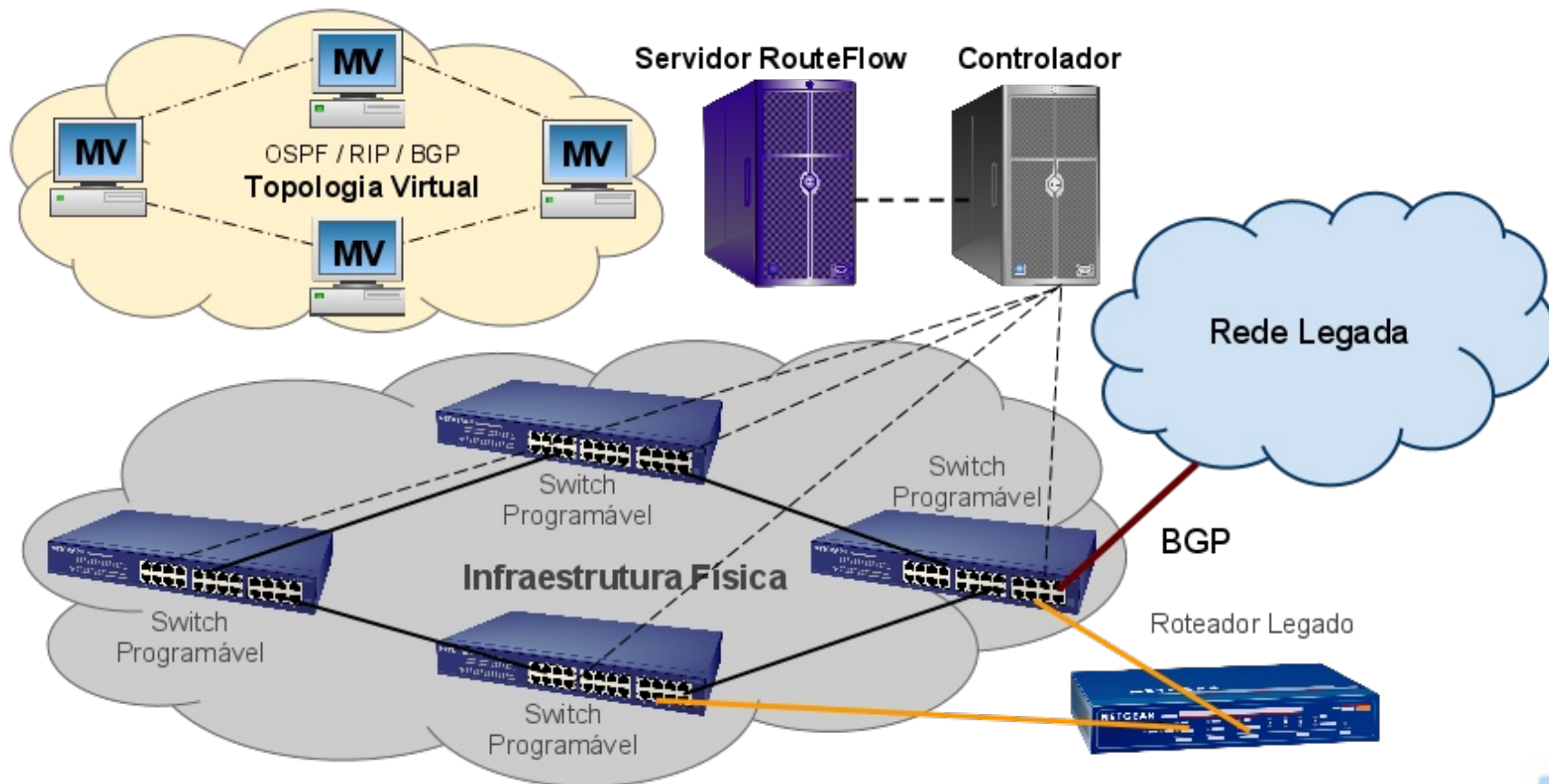


High cost
Specialized config.
Closed source
Slow innovation

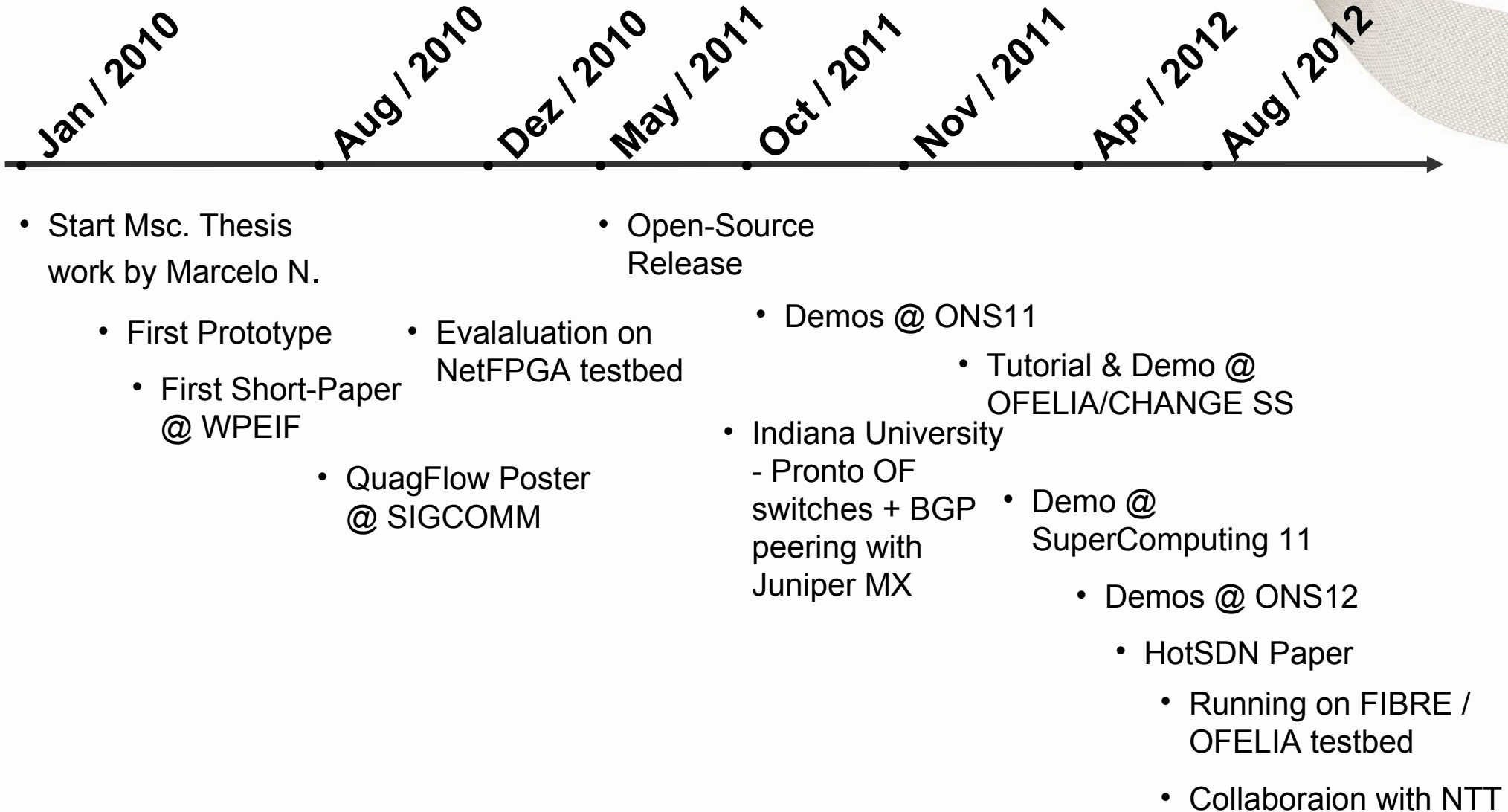


Source: McKeown

Low cost (commodity)
Multi-vendor modularity
Open source
Rapid innovation



RouteFlow Project History

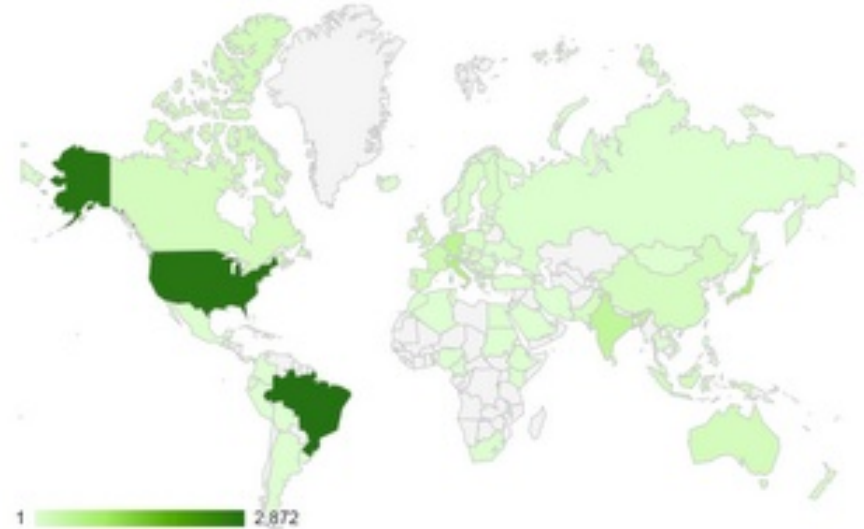


... building a community



Visits: 18,000+ (8,000+ Unique)

From over 1,600 cities of 100+ countries all over the globe!



<http://go.cpqd.com.br/routeflow/>



493
days since
Project Launch



1000s downloads!



Collaborations and community developments

- Web-based UI & Internet 2 HW pilot [C. Small, Indiana] ✓
- Aggregated BGP Routing Service [C. Corrêa, Unirio] ✓
- SNMP plugin [J. Stringer, Google] ✓

- Optimal BGP best path reflection [R. Raszuk, NTT-MCL] ⌚
- Open Label Switched Router [OSRF; Google] ⌚
- OpenFlow v1.2 and v1.3 [w/ Ericsson] ⌚
- OpenFlow-enabled ROAD [EU/Brazil FIBRE Project]

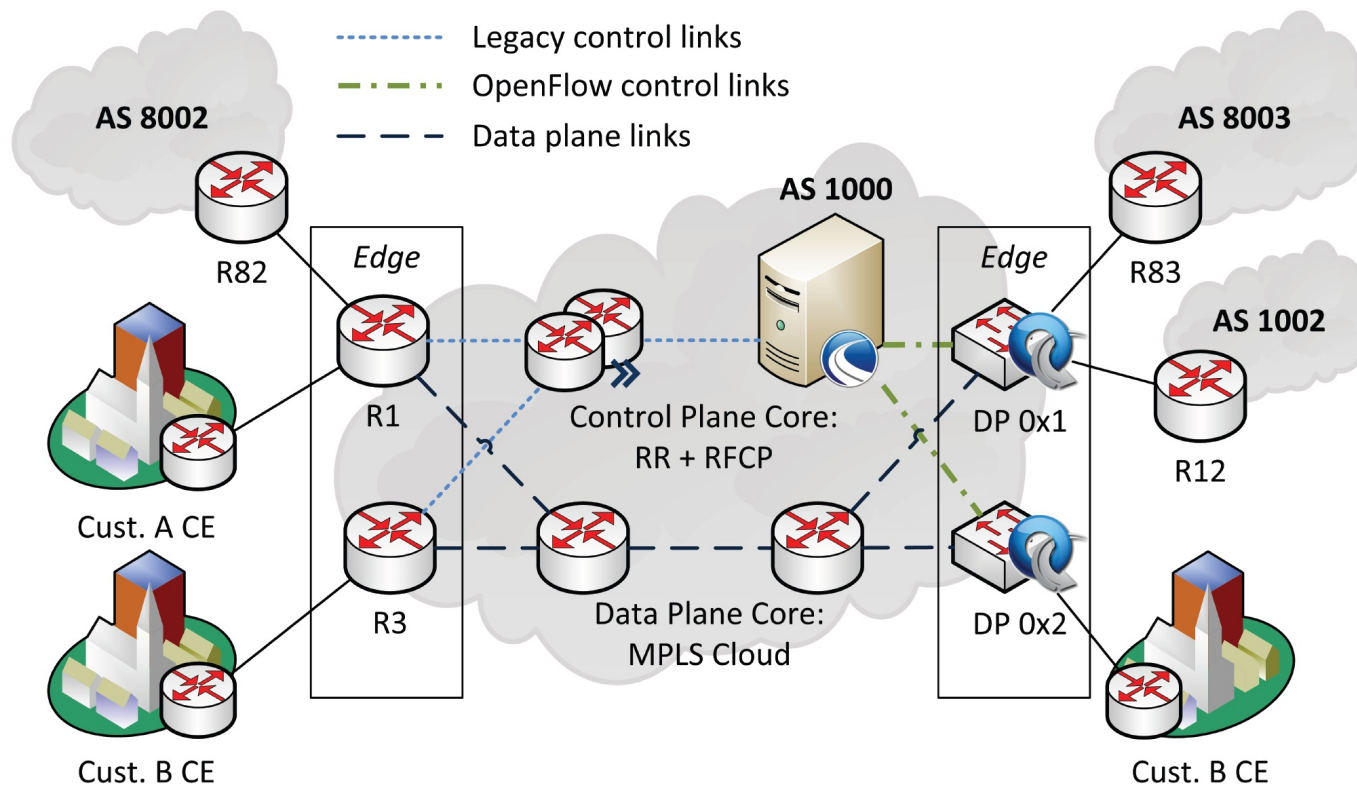


Open Source Routing

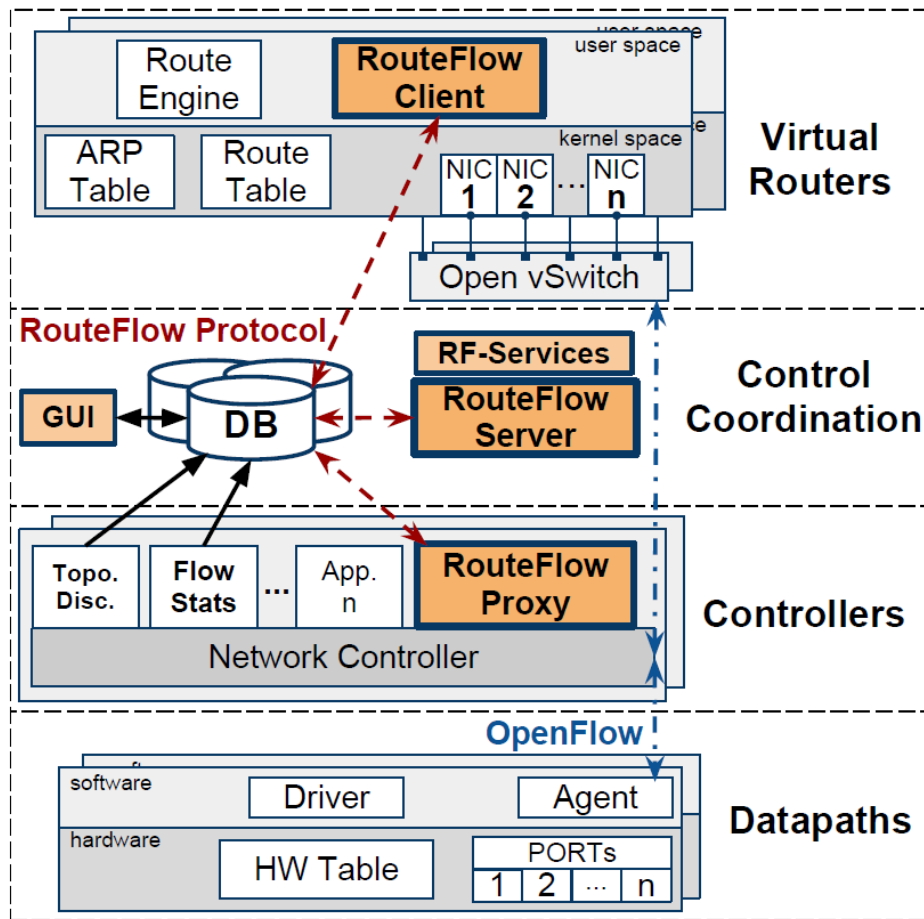


Controller-Centric Hybrid Networking

- A migration path to roll out OpenFlow technology
- Not a revolution, but an evolution of current iBGP RRs to essentially eBGP Route Controllers
 - “BGP-free edge”: A cost-effective simplified edge for SW-driven innovations



Design

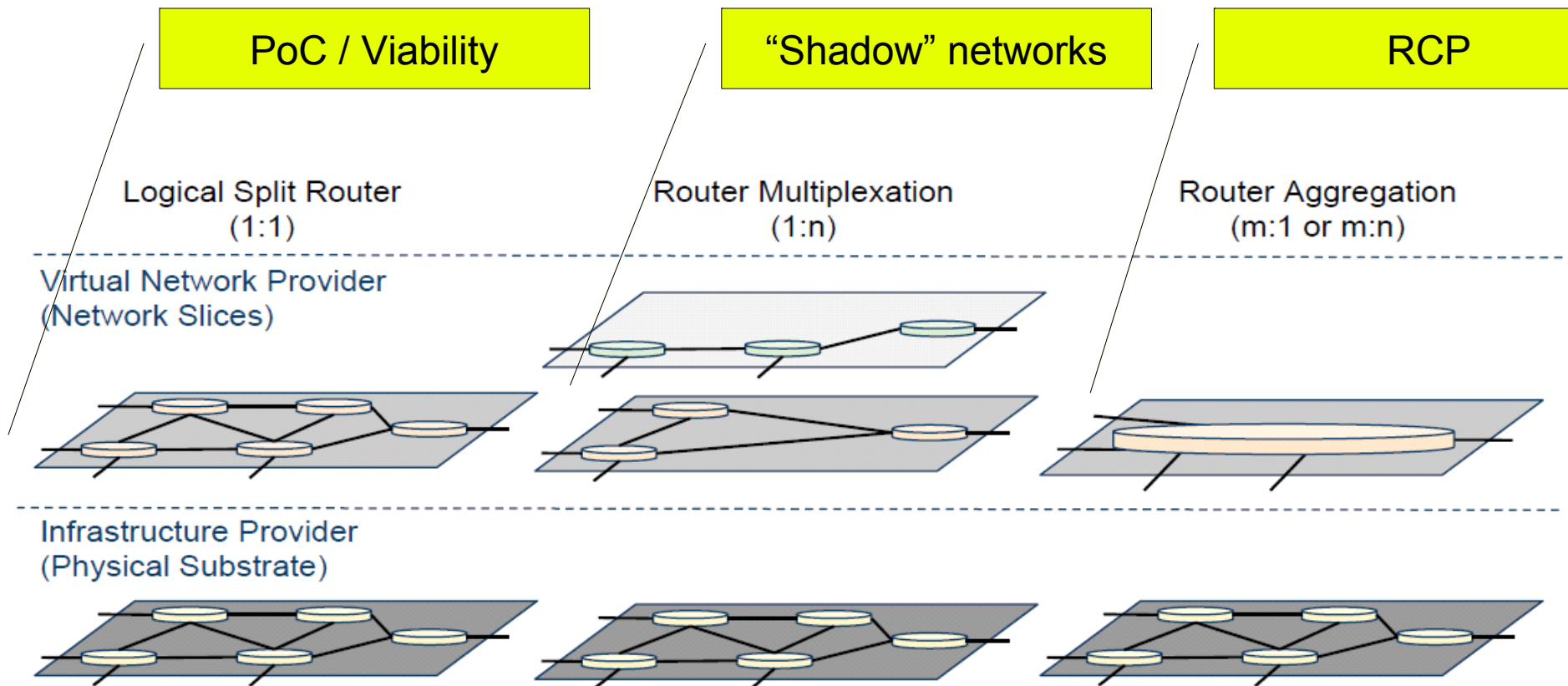


Key Features

- Modular architecture
 - RF-Proxy
 - RF-Server
 - RF-Client
- Database layer
 - JSON-based IPC
 - Resilient core state
 - Programmer-friendly
- Multi-Controller support
 - NOX, POX, (Ryu)
 - Floodlight, Trema (planned)

Modes of operation

- From logical routers (akin VRFs) to single node abstractions over flexible virtual networks.
- New design choices on the distribution of the control nodes.



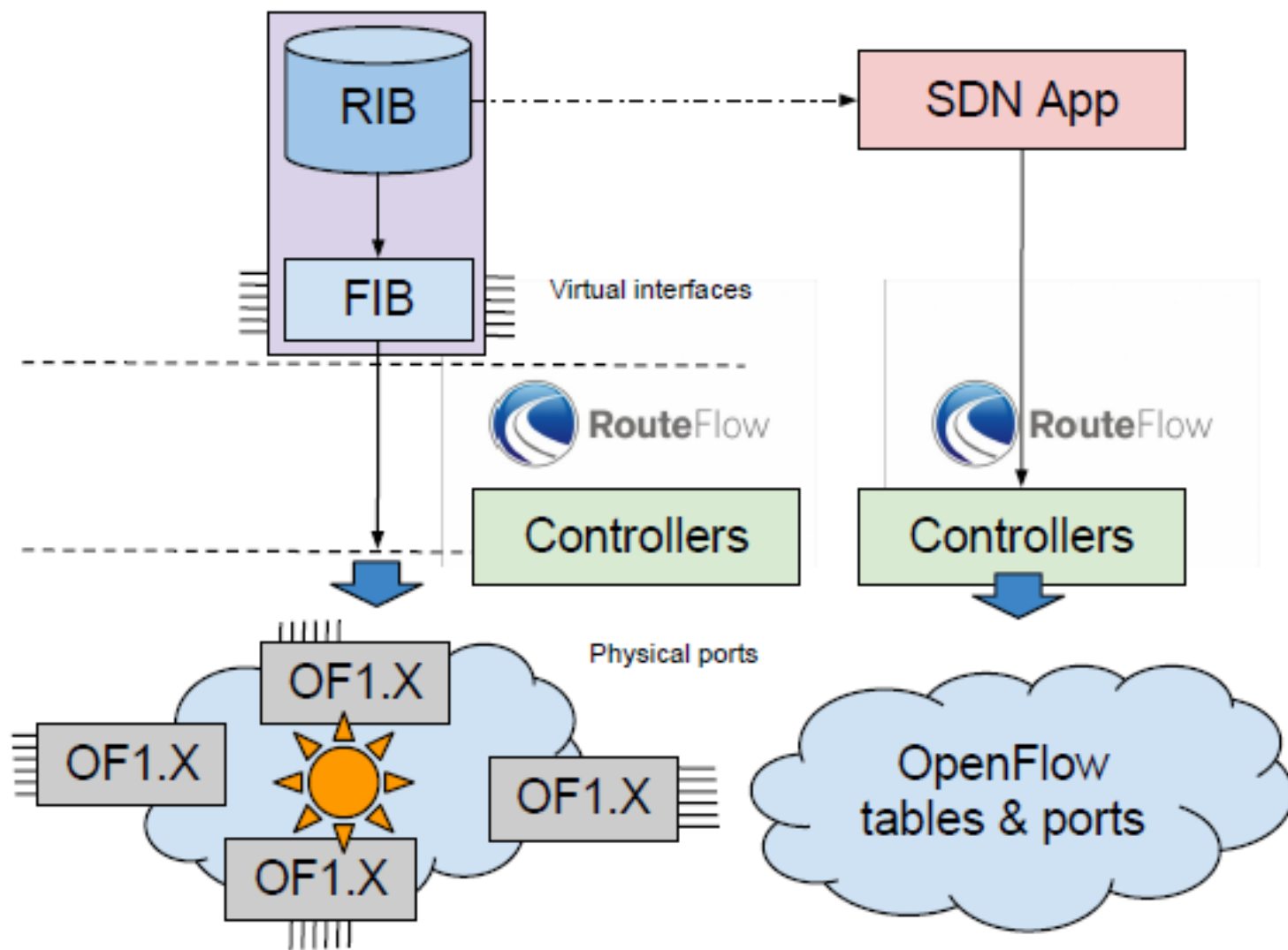
Research in scope and contribution

- Early work on Routing Control Platforms (RCP)
[Ramjee 2006, Feamster 2004, Van der Merwe 2006, Wang 2009]
 - In operation at AT&T, considered a differentiator for "dynamic connectivity management".
- Research Question:
 - Re-examine the concept of RCP with the **visibility** (i.e., network-wide, multi-layer, flow and topology maps, full RIBs) and **direct control** capabilities (i.e., actual FIB installation, rich matching and instruction set) of the SDN abstraction set and the specifics of the OpenFlow choice
- RouteFlow glues virtualized IP routing stacks with OpenFlow
- RouteFlow acts as a new **indirection** layer for
 - routing protocol messages (e.g. BGP session terminates in servers)
 - RIB-(to-FIB)-to-OpenFlow transformations



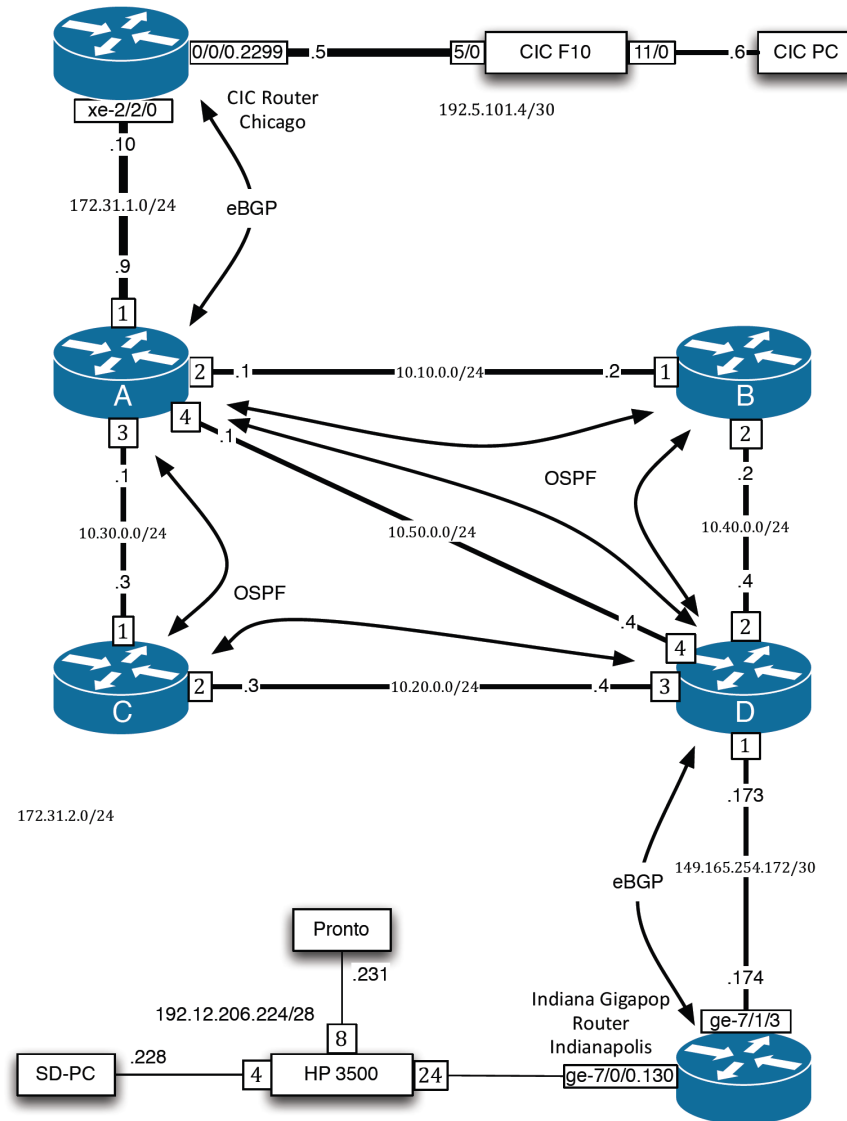
Today

Next



InCNTRE Deployment

- 4 Virtual routers
- 10 Gig and 1 Gig connections
- 2 BGP connections to external networks
- Remote Controller
- New User Interface



Compare interfaces over the last 30 years

“PC” user interfaces

```

Current date is Tue 1-01-1990
Enter new date:
Current time is 7:40:27.13
Enter new time:

The IBM Personal Computer BIOS
Version 1.10 (C)Copyright IBM Corp 1981, 1982

ROM BIOS
CIRQUAD CCM FERRAT CCM CHIBOK CCM SVS CCM DISKCOPY CCM
DISKCOPY CCM CIMP CCM EXEC201N CKE MIRE CCM EXPLM CCM
EXCIB CCM LINK CKE EXSTIC CCM EXSTIC CCM ART BAS
EXPLCS BAS MATHAGE BAS CALORWAR BAS CALORWAR BAS MESTC BAS
EXPLCY BAS CIRCLE BAS PISCWAT BAS SPACZ BAS DWLL BAS
CIMS BAS
20 Files(s)
AMIC command.com
COMMAND CCM 4350 5-07-82 12:00y
1 Files(s)
A>
  
```

Network user interfaces

```

Router#en
Router#service-module gi/0 session
Trying 172.25.25.25, 2066 ... Open

Switch#en
Switch#conf t
Enter configuration commands, one per line. End with CNTL/Z.
Switch(config)#int fas
Switch(config)#int fastEthernet 1/0/1
Switch(config-if)#ip address 10.10.10.2 255.255.255.0
Switch(config-if)#no shut
Switch(config-if)#end
Switch#
Switch#
Switch#
Building configuration...
[OK]
01:09:35: WSVS-S-CONFIG_I: Configured from console by console
Switch#
  
```



```

Router#en
Router#service-module gi/0 session
Trying 172.25.25.25, 2066 ... Open

Switch#en
Switch#conf t
Enter configuration commands, one per line. End with CNTL/Z.
Switch(config)#int fas
Switch(config)#int fastEthernet 1/0/1
Switch(config-if)#ip address 10.10.10.2 255.255.255.0
Switch(config-if)#no shut
Switch(config-if)#end
Switch#
Switch#
Switch#
Building configuration...
[OK]
01:09:35: WSVS-S-CONFIG_I: Configured from console by console
Switch#
  
```

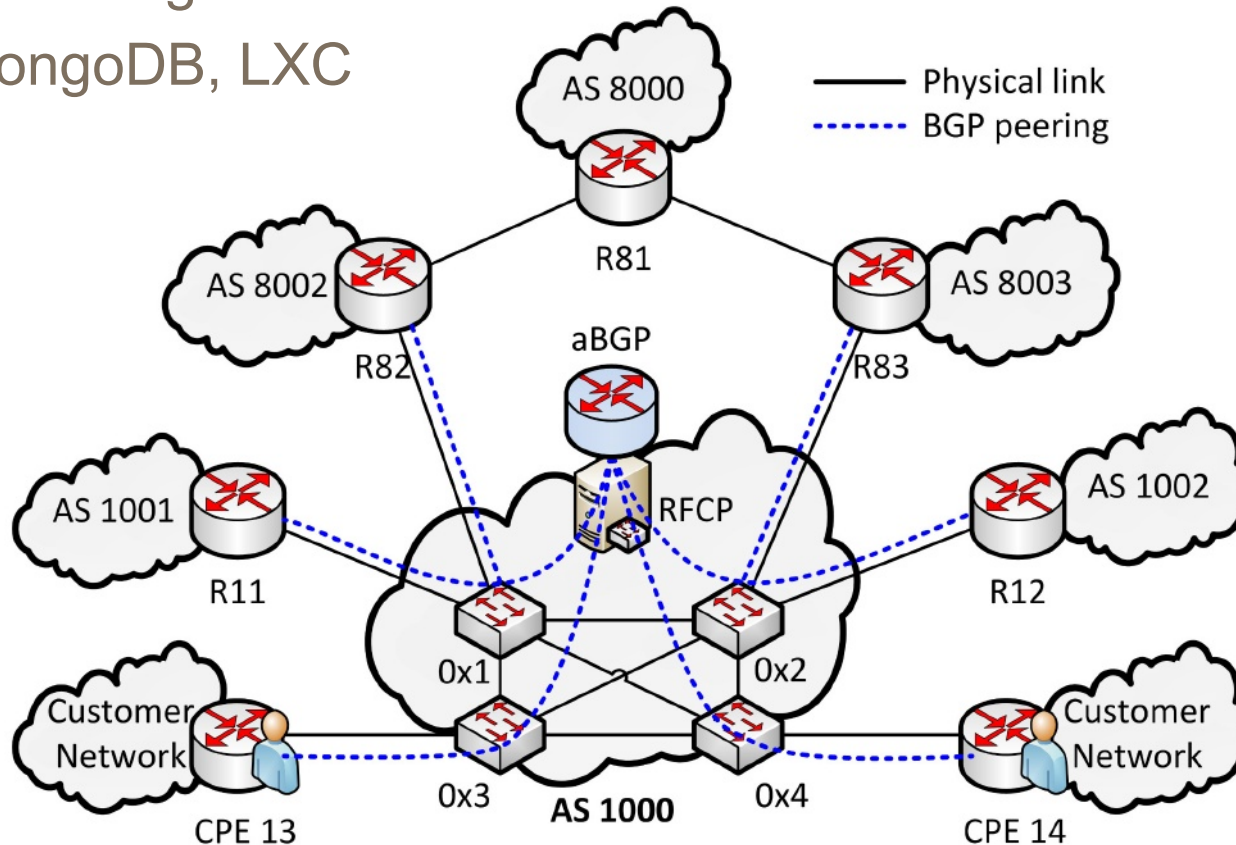
Demystifying Configuration Challenges and Tradoffs in Network Based ISP Services (Benson, Akella, Shaikh SIGCOMM 2011)

RouteFlow User Interface

- How to make network administration:
 - Simpler to implement
 - More robust and consistent
 - Easier to manage
- Automation and Config Abstractions
- Can you build very different interfaces with SDN backends?
E.g., type: <http://netkarma.testlab.grnoc.iu.edu/rf/> or... <http://goo.gl/T3Tqe>

Prototyped: Aggregated BGP routing service

- Single node abstraction of a domain-wide eBGP router
 - Think modern multi-chassis routing architectures with external route processors and OpenFlow switches acting as line cards
- Aggregation logic defined in the RF-Server
- NOX, MongoDB, LXC



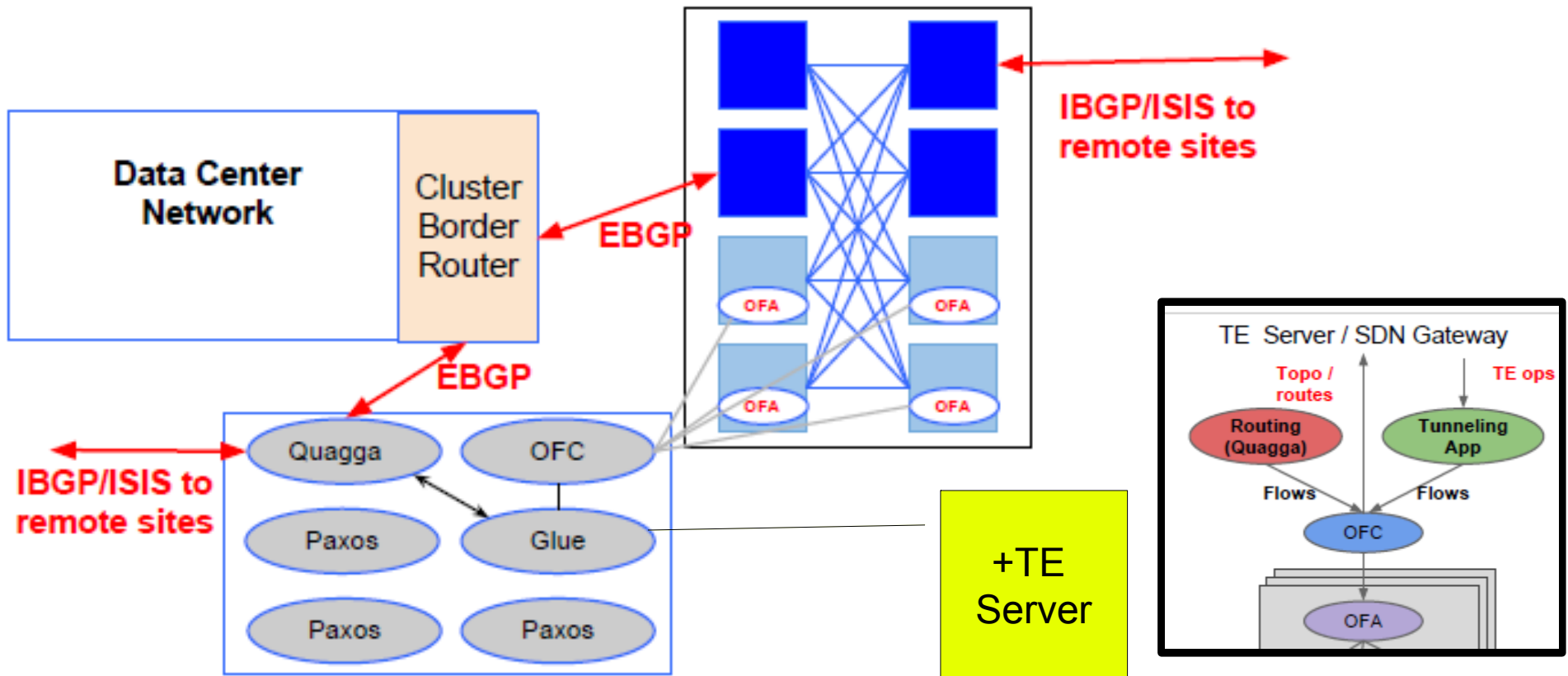
Routing-centric use cases under research

- Engineered path selection
 - Think **Google WAN**, performance-based routing, etc.
- Optimal best path reflection
 - Per ingress/customer [draft-ietf-idr-bgp-optimal-route-reflection-01]
- **Path protection with prefix independent convergence**
 - **Hierarchical FIBs w/ OF 1.X Tables + LFA route-precomputation**
- Security
 - Data plane blackholes and middlebox injections,
 - Secure Inter-domain routing ideas (crypto intense S*-BGP, etc..)
- Simplifying customer multi-homing
 - Easy to set and control cost/performance/policy-based routing
- IPv6 migration
 - Flow matching for service termination in v4-v6 migration solutions

Google Software Defined WAN Architecture

Mixed SDN Deployment

Google



Fast convergence

Exploit OF 1.X group tables to store backup NHs per-prefix
Offline pre-computation of loop-free/converged alternate routes
- Use a “shadow” network to learn about future states

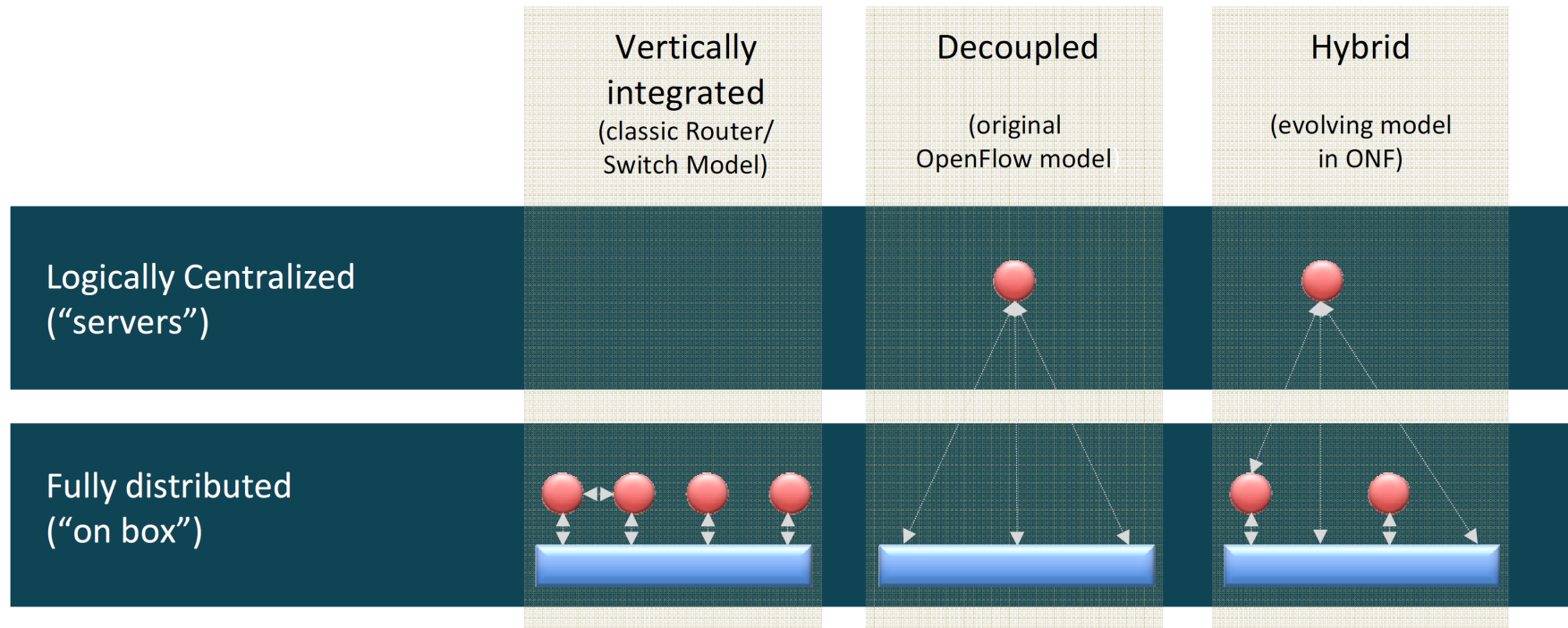
For every possible link failure:

- Force control plane failure events in the shadow network
- Let control plane converge
- Observe final state and store deltas
- (Rank failures according to “costs”)

When actual failure (state change happens)

- Directly apply the pre-computed state changes (flow-mod deltas)
- If combined with switch OAM: pre-install restoration state in group actions, triggered by the switch OAM (e.g BFD)

Control Plane Distribution Options



Data Path jointly controlled by standard on-box control plane and centralized off-box controller

Slide courtesy Frank Brockners

Legend:

Data plane	Control plane function

Challenges

- Centralized BGP
 - Shown to scale well in modern CPU architectures
 - Centralized does not mean not distributed (but removal from edge)
- Small OpenFlow table sizes
 - Transient limitation?
 - Expose existing FIB data structures as an IP lookup OF table?
 - Smart RIB&FIB reduction (e.g., simple [draft-ietf-grow-simple-va-04])
 - HW/SW flow offloading (e.g. Fibium)
- Limited OpenFlow processing in datapath
 - Transient / Un-optimized implementations
- High availability
 - Previous ideas from distributed RCPs
 - Database-centric designs
 - Development in-progress of “BGP SHIM” for transparent eBGP redundancy

Conclusions

- RouteFlow is
 - a simple yet powerful (adaptable, inexpensive) routing architecture
 - a platform for real IP routing protocol experimentation
 - a tool for OpenFlow adoption via controller-centric hybrid networking
- Many open research questions and future work
 - OF 1.X, MPLS, OAM, GUI, policy languages, configuration mgm, etc.
- Opportunity for a community-driven development of competitive, deployable, open routing control solutions



Open Source Routing



Evolving the IP routing landscape with OpenFlow/SDN

Christian Esteve Rothenberg, PhD

Diretoria de Redes Convergentes (DRC)

esteve@cpqd.com.br

Thank you!

Questions?

www.cpqd.com



Live DEMO

- Access:
 - <http://go.cpqd.com.br/7API-demo>

- Indiana University GUI demo:
 - <http://goo.gl/T3Tqe>

RouteFlow Platform research topics

- High availability
- Integration of OF v1.1, v1.2 and v1.3
- LDP / MPLS support towards open-source LSR
- Realizing the northbound SDN abstractions
 - Specification / Configuration
 - Network Information Base
 - Knowledge Information Base
- Troubleshooting, testing, debugging, ...
- ...

